



TS-D2X Sensor Series

Duct & Immersion Temperature Sensors, Nema 4X



Overview

TS-D2X Series all-purpose temperature sensors provide precision temperature sensing for ducts. When combined with a TS-TW series S/S thermowell, they can be used to measure liquid temperature in pipes. The TS-D2X single-point temperature sensor uses a precision sensor encapsulated in a 6.00 mm (0.236") OD, a 304-series stainless steel probe, and it is available in various lengths. All probes provide excellent heat transfer, fast response and resistance to moisture penetration.

Applications

- Used for measuring temperature on: supply and return ducts, supply and return hot water pipes of heating systems, domestic hot water tanks and piping, and supply and return lines in chillers
- Incorporated in chillers to monitor temperature gradients
- Used in heat exchangers and air handling units to provide temperature sensing for control of heating / cooling coils

Features & Benefits

- Economical
- Ease of installation
- Sensors are hermetically sealed
- Proven long stability and performance
- Probes made of corrosion-resistant 304 stainless steel
- Accurate temperature monitoring for increased comfort

Model Selection

	TS- D XX 002
Mounting Style	D = Duct / Immersion
Enclosure	XX = No enclosure 2X = Plastic enclosure, Nema 4X
Probe Length	002 = 2" (50mm) 004 = 4" (100mm) 006 = 6" (150mm) 008 = 8" (200mm) 012 = 12" (300mm) 018 = 18" (450mm)

Accessories

Thermal Joint Compound

TS-JC2	Thermal Joint Compound, 2 oz (60ml) Jar
TS-JC5	Thermal Joint Compound, 5 oz (150ml) Tube
TS-JC8	Thermal Joint Compound, 8 oz Jar (240ml)

Thermowells

TS-TWN30402	50mm (2") 304 SS well, NPT
TS-TWN30404	100mm (4") 304 SS well, NPT
TS-TWN30406	150mm (6") 304 SS well, NPT
TS-TWN30408	200mm (8") 304 SS well, NPT
TS-TWN31602	50mm (2") 316 SS well, NPT
TS-TWN31604	100mm (4") 316 SS well, NPT
TS-TWN31606	150mm (6") 316 SS well, NPT
TS-TWN31608	200mm (8") 316 SS well, NPT

Product Specifications

Environmental

Operating Temperature _____ -20°C to 105°C; -4°F to 221°F
Storage Temperature _____ -20°C to 105°C; -4°F to 221°F
Relative Humidity _____ 0 to 95% Non-condensing

Bracket

Material _____ ABS - UL94-5VB
Color _____ Black
Shipping Weight _____ 0.20lbs (0.091kg)
Probe Dimension _____ 6.35 mm (0.25") Diameter

Electrical

Dissipation Factor _____ 2.2mW/K (Thermistor)
Max Power @ 25°C (77°F) _____ 75mW (Thermistor)
Thermal Time Constant _____ Less than 10s (Thermistor)
Wire Material (TS-DXX Series) _____ Plenum rated FT-6
Wire Length (TS-DXX Series) _____ 3.05 m (10')

Temperature Sensor with Enclosure

Sensor Type¹ _____ 10kΩ NTC thermistor, Type 2
Accuracy _____ ±0.2°C; ±0.36°F
Probe Sensing Range _____ -20 to 105°C (-4 to 221°F)
Probe Material _____ 304 Series Stainless Steel
Probe Dimension _____ 6.00 mm (0.236") Diameter
Enclosure Type _____ Material; Grey ABS; UL94-V0, IP65 (NEMA 4X)
Shipping Weight _____ 0.60 lbs (0.2727 kg)

Agency Approvals

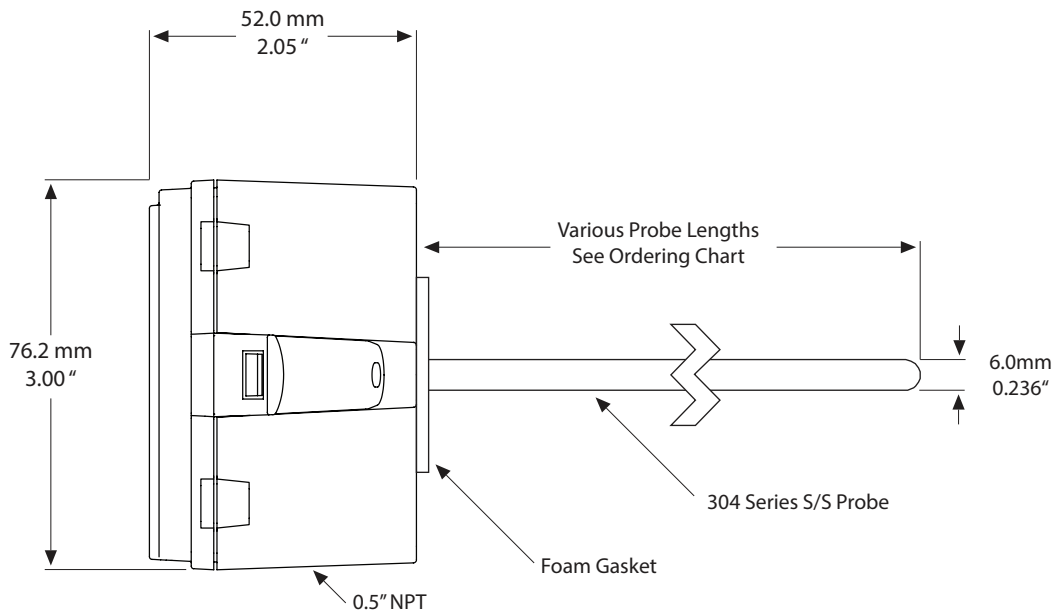
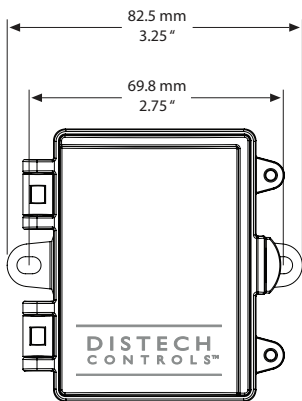
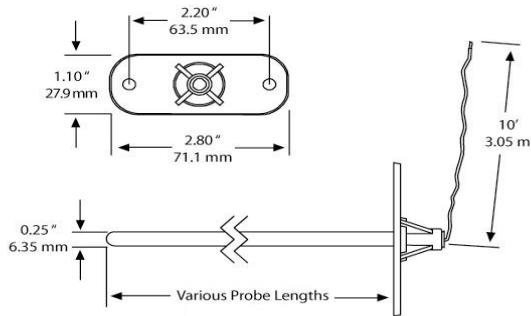
Material² _____ UL94-V0



1. Temperature sensor type stated is standard. Other temperature sensor types are available.
2. All materials and manufacturing processes comply with the RoHS directive.

Dimensions

Bracket



Specifications subject to change without notice.
ECLYPSE, Distech Controls, and the Distech Controls logo are trademarks of Distech Controls Inc. All other trademarks are property of their respective owner.
©, Distech Controls Inc., 2018. All rights reserved.